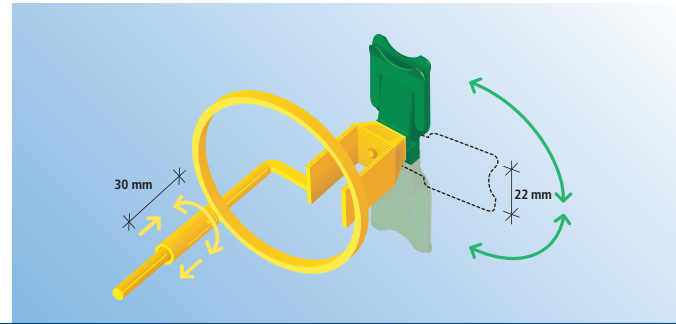
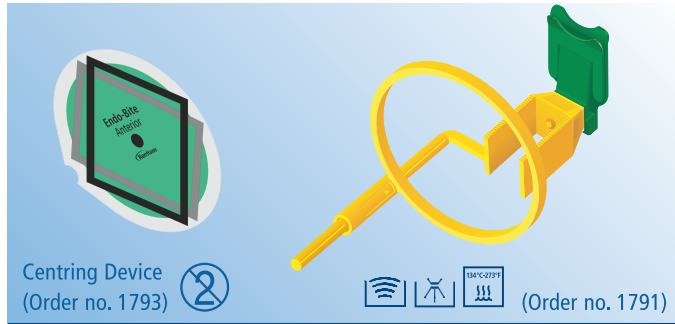
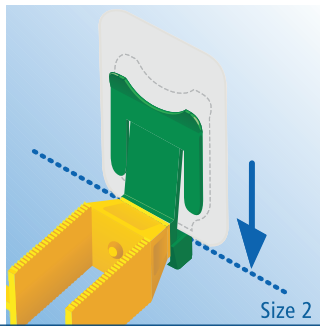


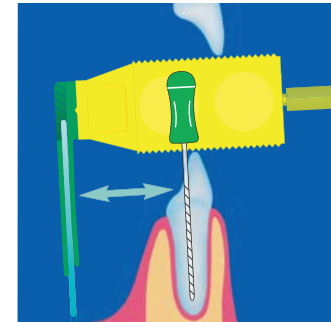
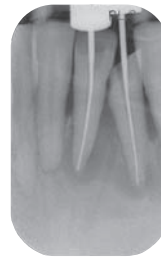
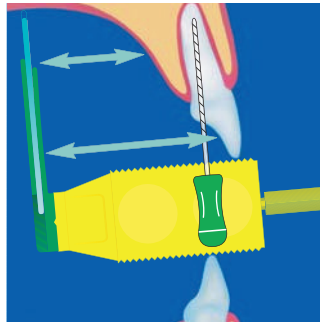
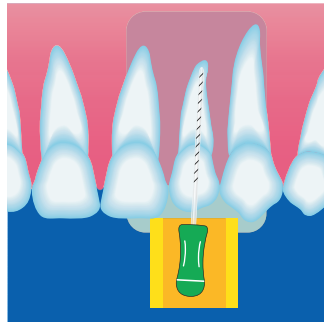
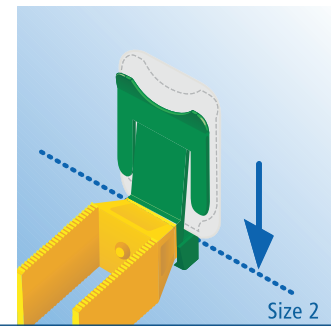
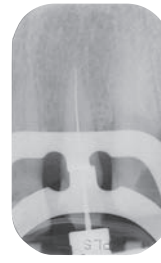
# Endo-Bite Anterior



EP Pat. 0 397 599 / US Pat. 5 044 009



For better results



504896-11-09

Manufactured by KerrHawe SA  
Via Strece 4, 6934 Bioggio  
Switzerland  
www.KerrHawe.com  
00800 41 05 05 05



Kerr U.S.A.  
1717 West Collins Avenue  
Orange, CA 92867  
(800) KERR-123  
KerrDental.com

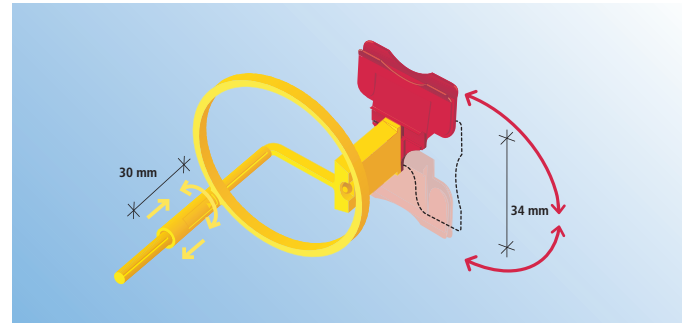
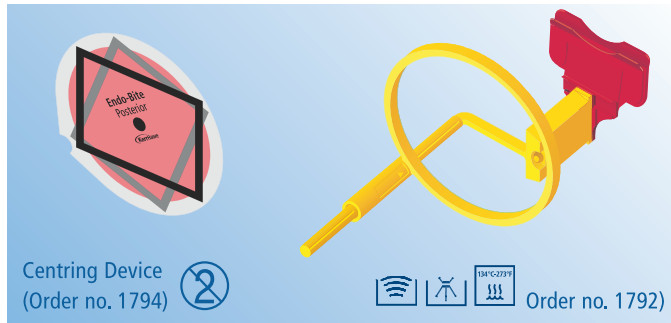
Kerr Australia Pty. Ltd.  
Unit 11  
112-118 Talavera Road  
North Ryde 2113  
New South Wales, Australia  
61-29-870-7500

Sybron Dental Specialities Japan, Inc.  
29-24 Honkomagone 2-chome  
Bunkyo-ku, Tokyo  
113-0021 Japan  
0120-18-3126

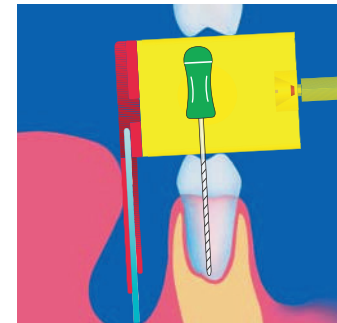
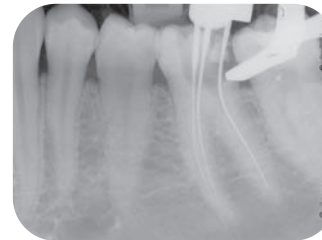
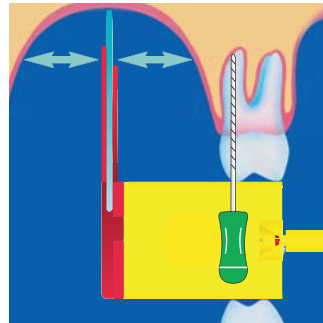
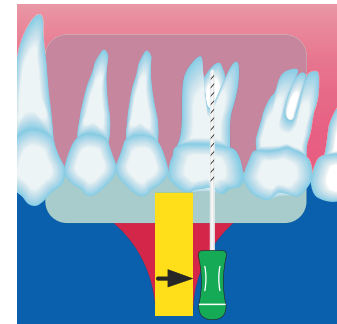
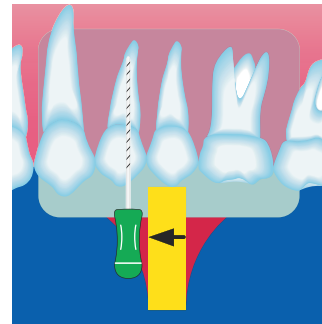
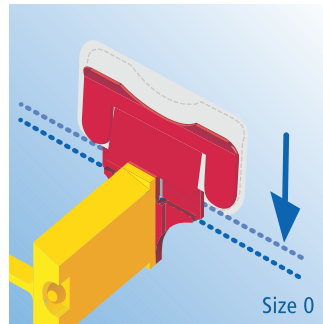
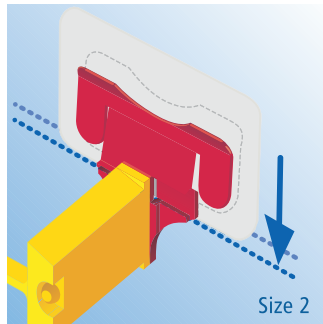
Metrex® Research  
28210 Wick Road  
Romulus, MI 48174 USA  
Phone: 001 714 516 7400  
Fax: 001 714 516 7581  
www.kerrtotalcare.com



# Endo-Bite Posterior



EP Pat. 0 397 599 / US Pat. 5 044 009



Manufactured by KerrHawe SA  
Via Strece 4, 6934 Bioggio  
Switzerland  
www.KerrHawe.com  
00800 41 05 05 05



Kerr U.S.A.  
1717 West Collins Avenue  
Orange, CA 92867  
(800) KERR-123  
KerrDental.com

Kerr Australia Pty. Ltd.  
Unit 11  
112-118 Talavera Road  
North Ryde 2113  
New South Wales, Australia  
61-29-870-7500

Sybron Dental Specialities Japan, Inc.  
29-24 Honkomagone 2-chome  
Bunkyo-ku, Tokyo  
113-0021 Japan  
0120-18-3126

Metrex® Research  
28210 Wick Road  
Romulus, MI 48174 USA  
Phone: 001 714 516 7400  
Fax: 001 714 516 7581  
www.kerrtotalcare.com

